

The 59th Annual Scientific Meeting of the Japanese Society of Nuclear Medicine and Exhibition

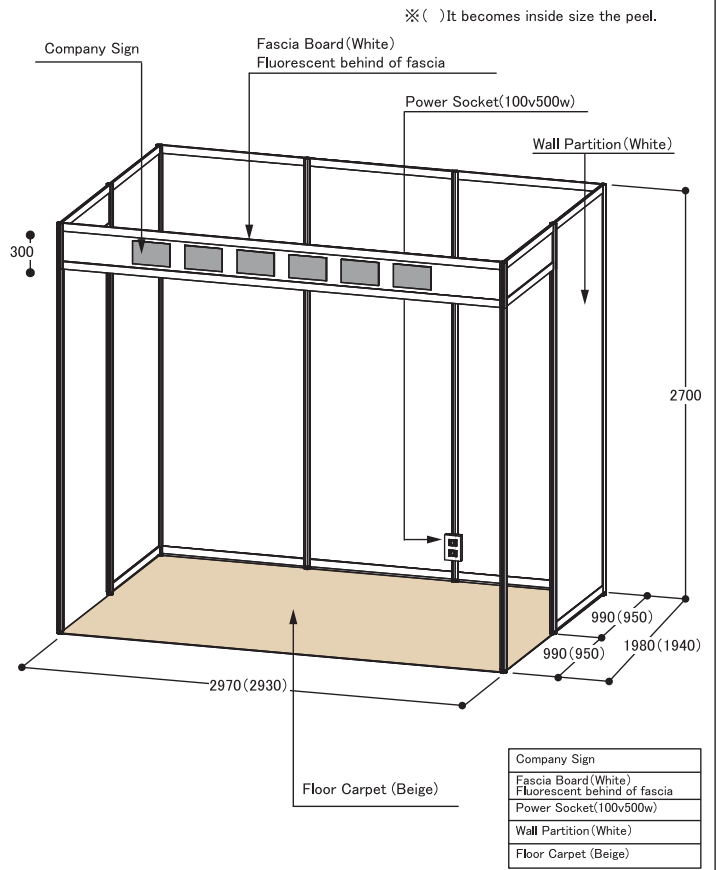
The 39th Annual Meeting of the Japanese Society of Nuclear Medicine Technology and Exhibition

Basic Booth Specification

※The height of basic booth is 2,700mm

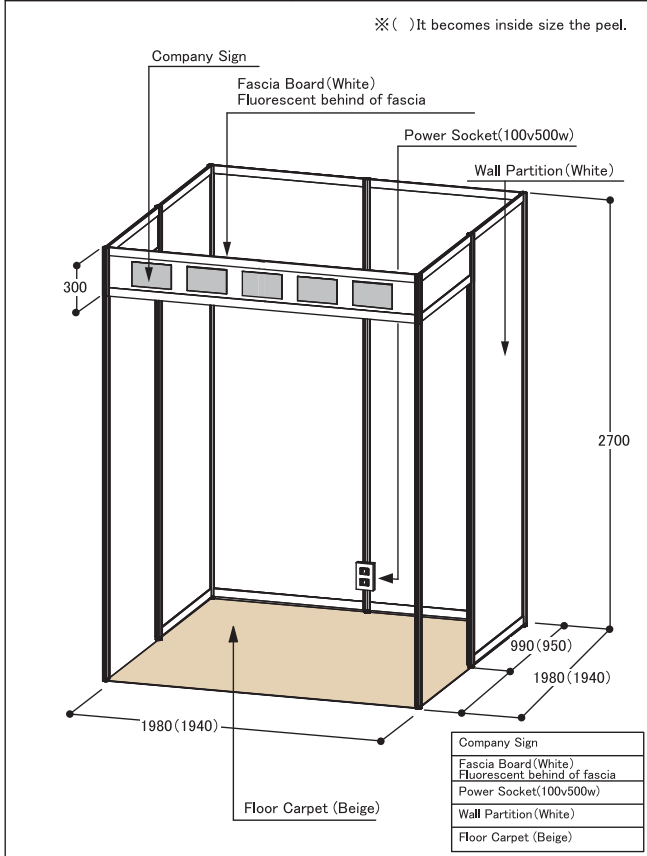
Basic Booth: Type A

W3000 × D2000



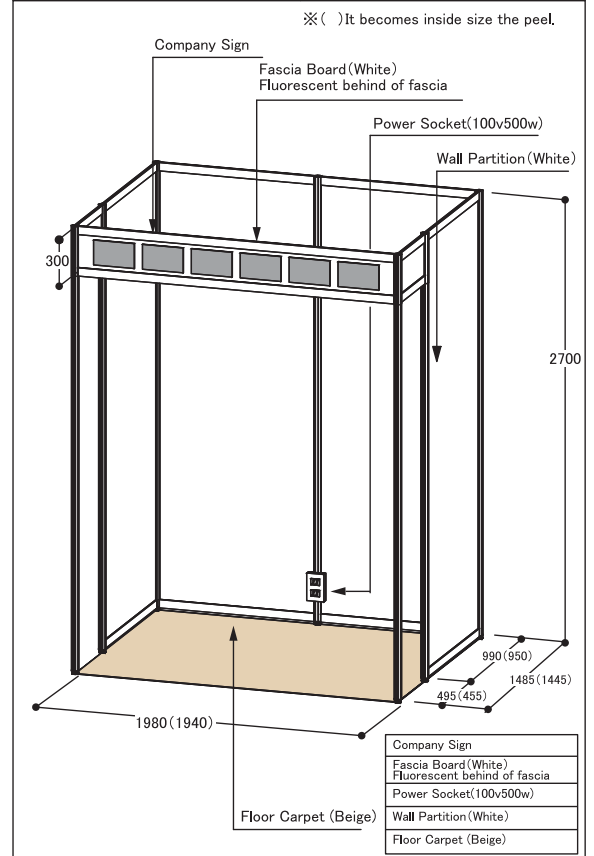
Basic Booth: Type B

W2000 × D2000



Basic Booth: Type C

W2000 × D1500



# The 59th Annual Scientific Meeting of the Japanese Society of Nuclear Medicine and Exhibition The 39th Annual Meeting of the Japanese Society of Nuclear Medicine Technology and Exhibition

## Basic Booth Specification

※The height of basic booth is 2,700mm

