

The 57th Annual Scientific Meeting of the Japanese Society of Nuclear Medicine and Exhibition

The 37th Annual Meeting of the Japanese Society of Nuclear Medicine Technology and Exhibition

In Conjunction with

The 12th Asia Oceania Congress of Nuclear Medicine and Biology (AOCNMB2017) and Exhibition

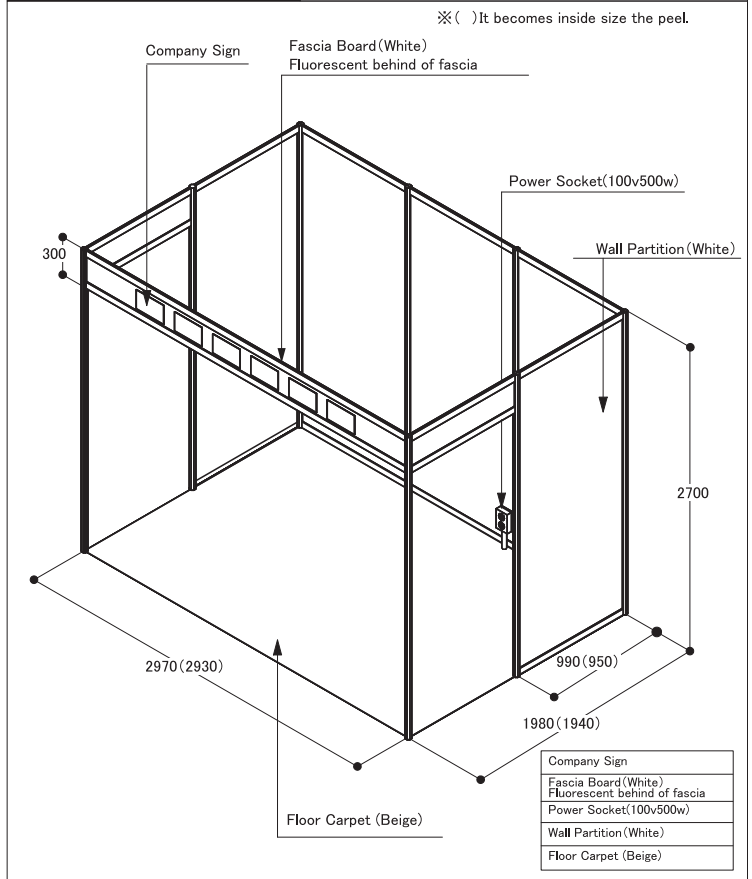
The 7th Annual International Conference of the Asia Society of Nuclear Medicine Technology (ASNMT) and Exhibition

Basic Booth Specification

※ The height of basic booth is 2700mm

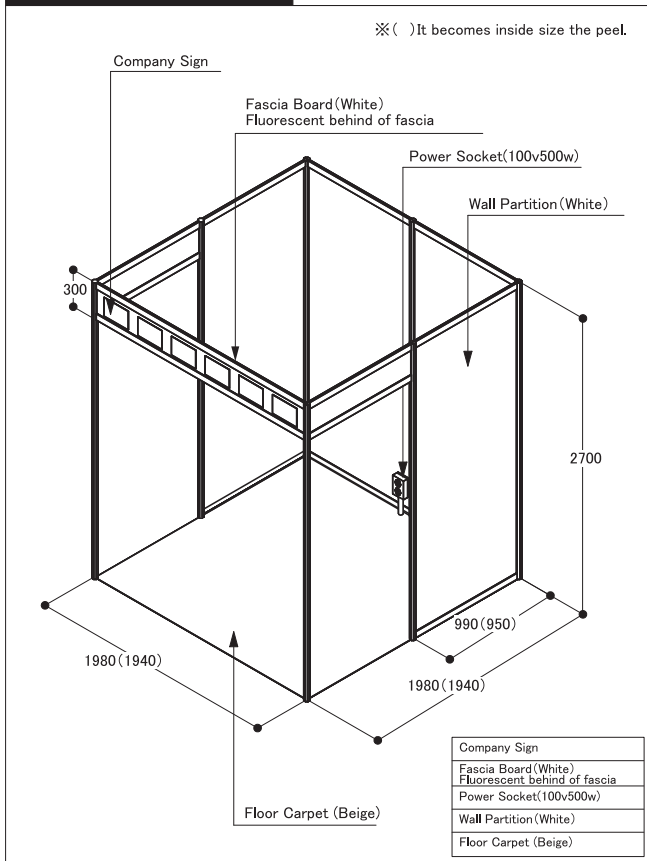
Basic Booth: Type A

W3000 × D2000



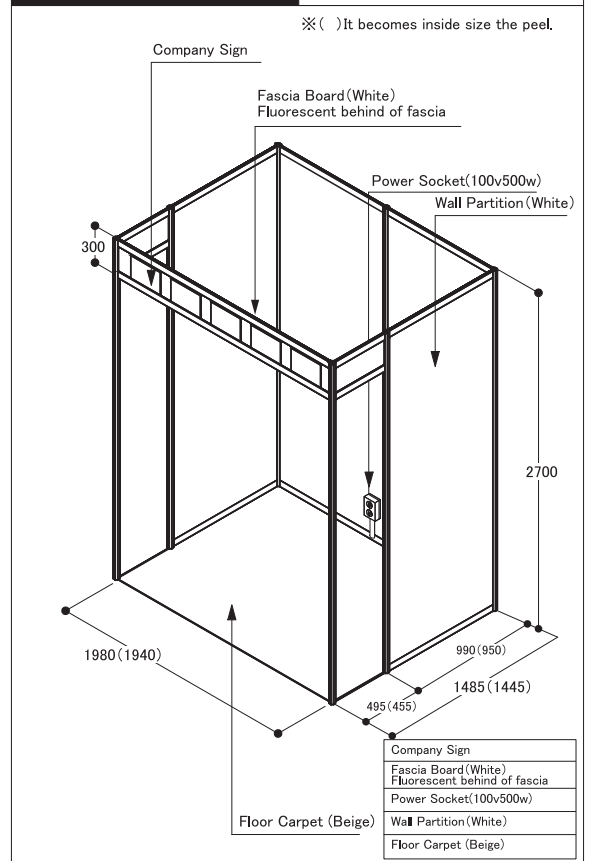
Basic Booth: Type B

W2000 × D2000



Basic Booth: Type C

W2000 × D1500



The 57th Annual Scientific Meeting of the Japanese Society of Nuclear Medicine and Exhibition
 The 37th Annual Meeting of the Japanese Society of Nuclear Medicine Technology and Exhibition
 In Conjunction with
 The 12th Asia Oceania Congress of Nuclear Medicine and Biology (AOCNMB2017) and Exhibition
 The 7th Annual International Conference of the Asia Society of Nuclear medicine echnology (ASNMT) and Exhibition

Basic Booth Specification

※The height of basic booth is 2700mm

