

ITEM 2020

(The International Technical Exhibition of Medical imaging2020)

Optional Furniture Catalog

Introduction

Thank you for participating in the International Technical Exhibition of Medical imaging 2020.

Here we prepared the extra rental equipment for your reference. If you would like to apply for the equipment shown in the catalog, please-fill in the forms and return to KOGEISHA via email

(item2020@kogeisha.co.jp) or fax (03-5684-7337) by 14 February, 2020.

Contact Person



KOGESHISHA CO.,LTD.

Person in Charge : Toru Negishi (Mr), Masafumi Kiguchi (Mr), Mitsuo Asayama (Mr)

[Before December] 6-17-5 Hongo,Bunkyo-ku, Tokyo 1130033 Japan.

[Start from January] 162-0824 Tokyo, Shinjuku City, Agebacho, 2-26 SK Building 4F

TEL: 03-5801-0761 (Office Hour: Weekday 10:00-17:00/12:00-13:00 excluded)

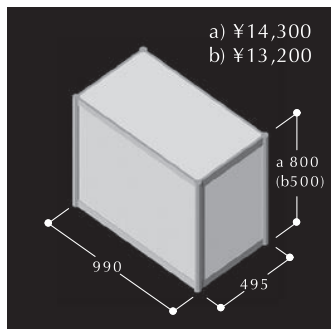
FAX: 03-5801-0762

E-mail: item2020@kogeisha.co.jp

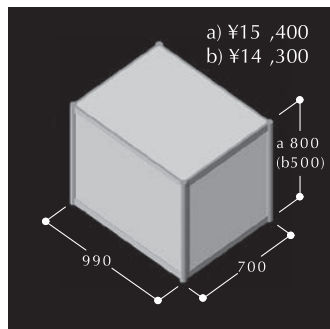
WEB: <http://www.kogeisha.co.jp/>

Optional Furniture List

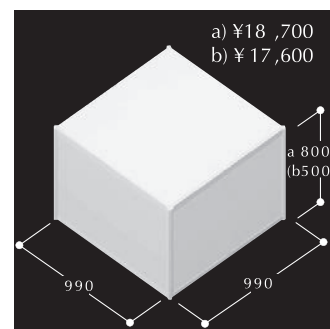
1. System Display (a or b)



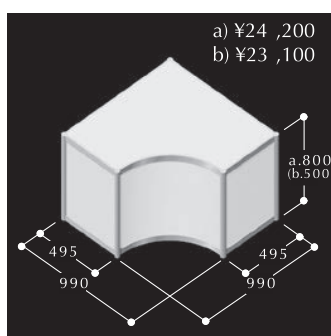
2. System Display (a or b)



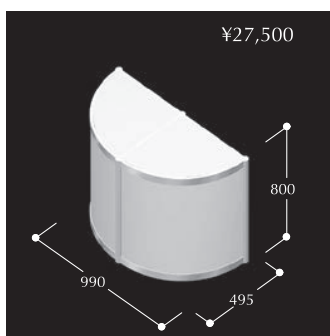
3. System Display (a or b)



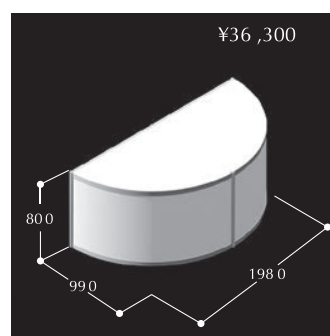
4. System Display (a or b)



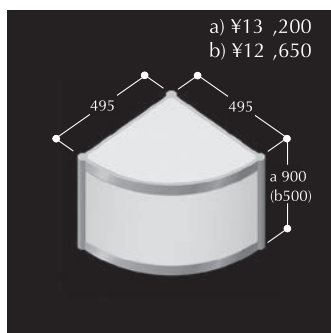
5. System Display R



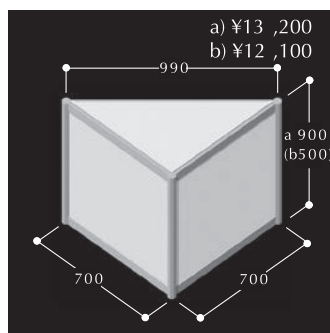
6. System Display R



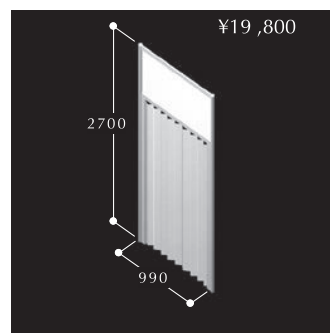
7. 1/4 System Display R (a or b)



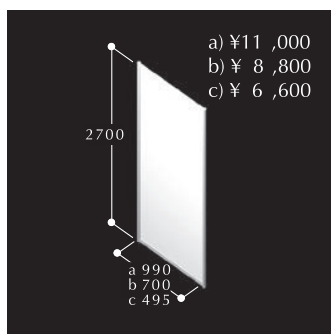
8. Triangle System Display (a or b)



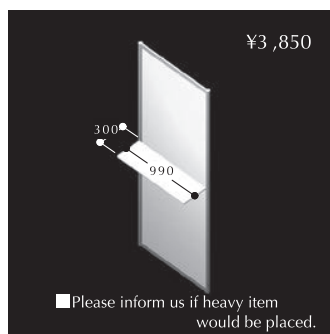
9. System Door



7. System Wall (a,b or c)



8. System Wall Shelf















Optional Furniture List

<p>12. Colour Line (for system wall)</p>  <p>width 300mm / 1m = ¥880</p>	<p>13. Colouring of system wall</p> <p>Please refer to last page for choosing colour.</p> <p>piece ¥7,150</p>	<p>14. Carpet</p>  <p>Please refer to last page for choosing colour.</p> <p>1booth ¥22,000</p>																		
<p>15. Cutting design</p>  <table border="0"> <tr><td>H50</td><td>¥1,100</td></tr> <tr><td>H90</td><td>¥1,210</td></tr> <tr><td>H150</td><td>¥1,540</td></tr> <tr><td>H200</td><td>¥2,200</td></tr> <tr><td>H300</td><td>¥3,080</td></tr> </table> <p>Please refer to last page for choosing colour.</p>	H50	¥1,100	H90	¥1,210	H150	¥1,540	H200	¥2,200	H300	¥3,080	<p>16. Plant (1,2,3,4)</p> <p>flower box ¥17,600</p> <table border="0"> <tr><td>1.large</td><td>¥3,850</td></tr> <tr><td>2.middle</td><td>¥2,750</td></tr> <tr><td>3.small</td><td>¥1,320</td></tr> <tr><td>4.flower</td><td>¥1,320</td></tr> </table> 	1.large	¥3,850	2.middle	¥2,750	3.small	¥1,320	4.flower	¥1,320	<p>17. Storage rack</p>  <p>W900×D450×H1800 ¥6,600</p>
H50	¥1,100																			
H90	¥1,210																			
H150	¥1,540																			
H200	¥2,200																			
H300	¥3,080																			
1.large	¥3,850																			
2.middle	¥2,750																			
3.small	¥1,320																			
4.flower	¥1,320																			
<p>18. Catalog stand</p>  <p>W250×D550×H1700 A4 size×12 ¥6,160</p>	<p>19. Reception counter</p>  <p>W900×D450×H800 ¥6,600</p>	<p>20. Table</p>  <p>T-234. W1.200×D600×H730 T-232. W1.800×D600×H730 T-235. W1.800×D450×H730 ¥3,520</p>																		
<p>21. Small table</p>  <p>T-213. W800×D450×H600 ¥2,200 T-216. W450×D450×H600 ¥2,200</p>	<p>22. Folding chair</p>  <p>¥660</p>	<p>23. Stack chair (C367A,B,C)</p>  <p>A. Blue B. White C. Silver ¥2,640</p>																		

Optional Furniture List






<p>24. Chair</p>  <p>¥4,400</p>	<p>25. Counter chair (C235A~C235E)</p>  <p>C-235 A. H430 C-235 B. H500 C-235 C. H600 C-235 E. H700</p> <p>¥3,200</p>	<p>26. meeting set</p>  <p>¥11,000</p>
<p>27. Lounge set</p>  <p>¥18,700</p>	<p>28. Dust box</p>  <p>UO-129 UO-131</p> <p>UO-129. 25L W220xD391xH565 UO-131. 13L φ240xH290</p> <p>¥1,760</p>	<p>29. Coffee set</p>  <p>(power used 1.5kw) ¥25,960 100 cups</p>
<p>30. Refrigerator (UE-29~UE-31)</p>  <p>UE-29. L 170L 150w ¥22,000</p> <p>UE-30. M 105L 100w ¥17,600</p> <p>UE-31. S 731L 70w ¥13,200</p>	<p>31. Sign stand</p>  <p>W500xD430xH920~H1440 Thickness 25mm</p> <p>¥4,400</p>	<p>32. Single hanger</p>  <p>W950xD450xH950~H1700</p> <p>¥2,640</p>
<p>33. Hanger</p>  <p>W380 ¥130</p>	<p>34. Name card holder</p>  <p>¥1,760</p>	<p>35. Fire extinguisher</p>  <p>¥4,400</p>

Optional Furniture List


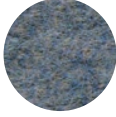
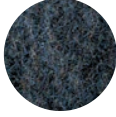


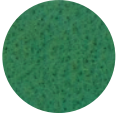
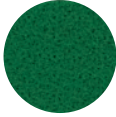
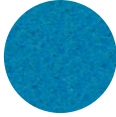
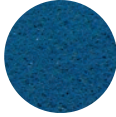

<p>36. Unit counter</p>  <p>UN-108. W1200×D600×H800 UN-110. W1500×D600×H800 ¥11,000</p>	<p>37. Cloth(white)</p>  <p>UT-21A. W2200×D1000 UT-21B. Per meter (single cloth 1m) ¥1,200 @600</p>	<p>38. Desk catalog stand</p>  <p>size free ¥1,760</p>
<p>39. Panel stand</p>  <p>Angle:250xh900~1800 Mounting method: Wood screw or Double-sided tape (Panel not included) ¥2,200</p>	<p>40. Easel</p>  <p>¥3,300</p>	<p>41. Cart</p>  <p>¥6,600</p>
<p>42. Fluorescent light</p>  <p>100V 21W (W : 1200mm) ¥3,300</p>	<p>43. Spotlight</p>  <p>100V 15W ¥3,850</p>	<p>44. Arm spotlight</p>  <p>100V 15W ¥4,400</p>
<p>45. Light</p>  <p>100V 60W ¥11,000</p>	<p>46. Consent</p>  <p>100V Please write down the power will be used while application. ¥3,300</p>	<p>47. Earth consent</p>  <p>100V Please write down the power will be used while application. ¥4,400</p>

Color sample







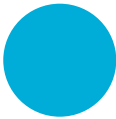



1. Sign color

CS312 (Yellow)	CS421 (Green)	CS524 (Blue)	CS122 (Red)	CS791 (Black)
				

2. Carpet color

T-18 (Brown)	T-05 (Grey)	T-04 (Black)	T-13 (Orange)	T-01 (Red)
				
T-20 (Green)	T-24 (Dark Green)	T-43 (Blue)	T-12 (Navy)	T-02 (Deep Red)
				

3. Wall color

YG80-9 (Cream)	YG80-16 (Yellow)	YG80-17 (Orange)	YG80-21 (Lime)	YG80-25 (Green)
				
YG80-7 (Black)	YG80-29 (Sky blue)	YG80-31 (Blue)	YG80-37 (Navy)	YG80-18 (Red)
				

Actual colour may be different.