

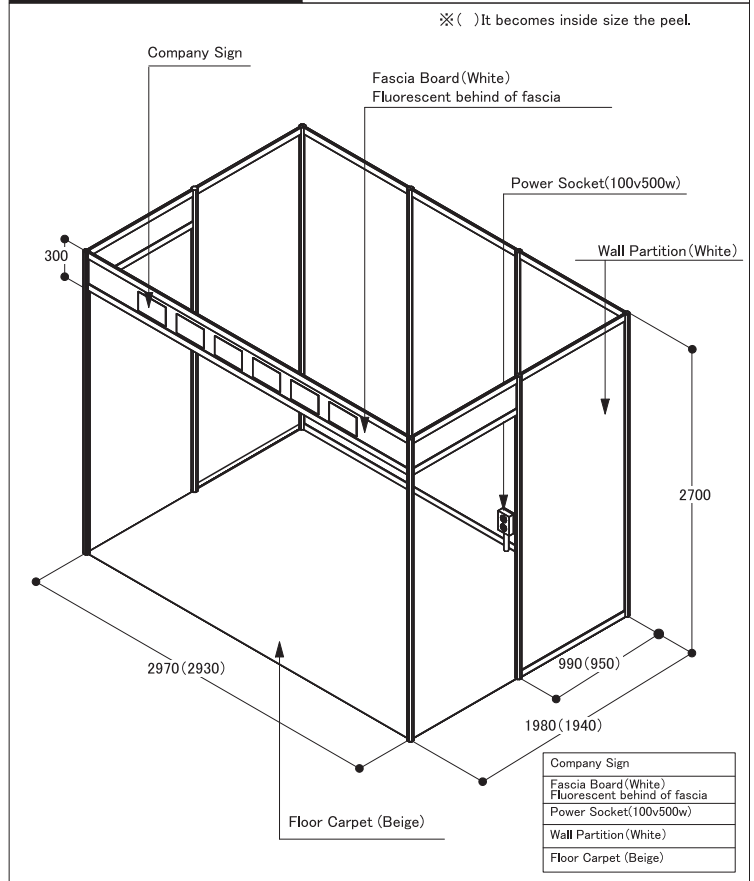
The 56th Annual Scientific Meeting of the
Japanese Society of Nuclear Medicine and Exhibition
The 36th Annual Meeting of the Japanese Society of
Nuclear Medicine Technology and Exhibition

Basic Booth Specification

※The height of basic booth is 2700mm

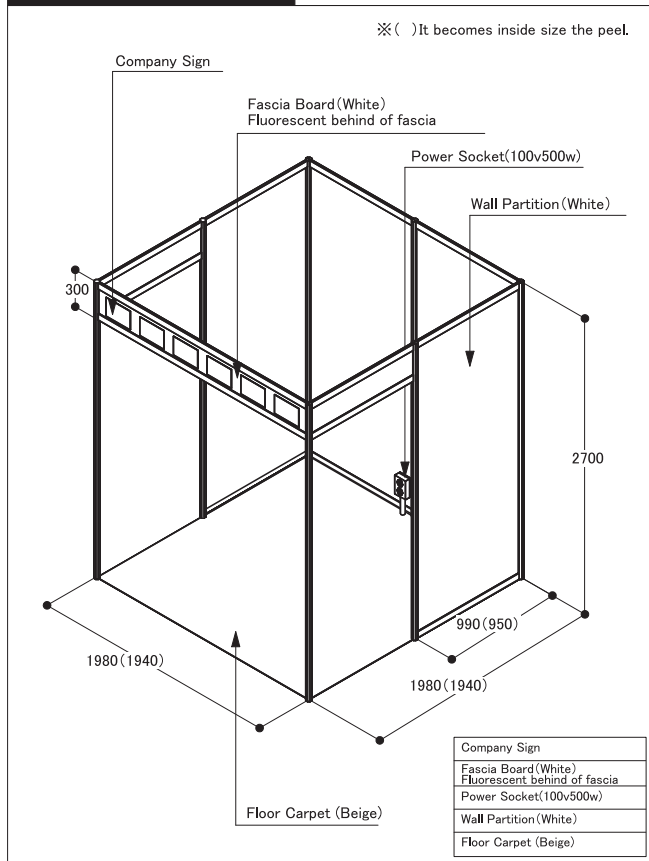
Basic Booth: Type A

W3000 × D2000



Basic Booth: Type B

W2000 × D2000



Basic Booth: Type C

W2000 × D1000

